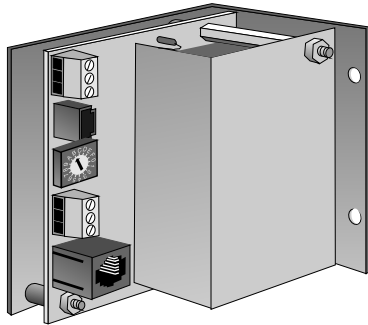




MULTI CHANNEL INFRARED CONTROL (MCIR)

Installation and Operation Instructions

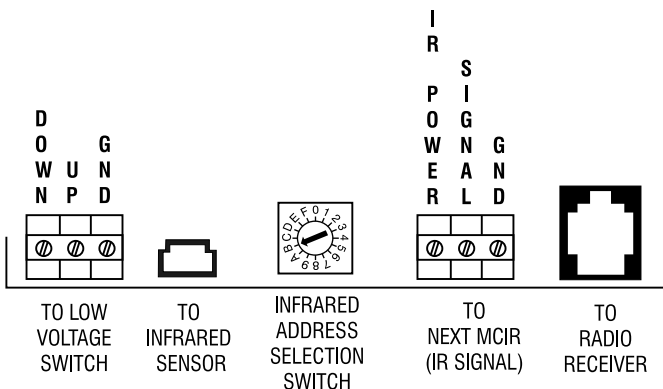


Multi - Channel Infrared Control
Cat. No: 6300885

DESCRIPTION

SOMFY'S Multi Channel Infrared Control provides low voltage control for AC motors using up to three different options. A low voltage switch can be connected that will control a motor with a push of a button. If remote control is desired, either a radio receiver or infrared sensor can be connected. The infrared components are addressable to allow individual and group control of up to fifteen motors from a single infrared transmitter.

LOW VOLTAGE CONNECTIONS



1. Mount the Infrared sensor near the window treatment or screen to be controlled, in the line of sight and free from any obstruction. Connect the sensor to the connector on the MCIR as shown.
2. To set the individual address for infrared operation, turn the arrow on the rotary switch. Position 1 refers to IR address 1 and Position F refers to IR address 15. Position 0 is not used.
3. Connect the optional low voltage switch to the terminal block or modular connector, if the radio option is not used.
4. Mount the optional radio receiver (Catalog number 6300447) adjacent to the MCIR and connect it to the modular connector on the board.
5. To connect several MCIRs to a single Infrared sensor, simply daisy-chain the IR signal using the terminal block provided.

LINE VOLTAGE CONNECTIONS

Connect Motor & Power Cables to the Multi Channel Infrared Control according to the wiring chart below.
Line Voltage installation MUST comply with local and NEC codes.

POWER	MOTOR	MCIR
BLACK		BLACK
WHITE	WHITE	WHITE
GREEN	GREEN	GREEN
	RED	RED
	BLACK	BROWN

NOTE:

A yellow wire can be provided on the Multi Channel IR Control for dry contact capability. Please contact Somfy Systems, Inc. for details.

CAUTION:

Before proceeding with the line voltage wiring instructions, the up and down limits of each motor should be set using the Somfy tester cable (Cat. No. 6020086). Refer to the limit switch instructions packaged with each Somfy motor for more information.

SOMFY CANADA

6315 Shawson Drive, Unit #1
Mississauga, Ontario L5T1J2




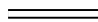

SOMFY SYSTEMS, INC.

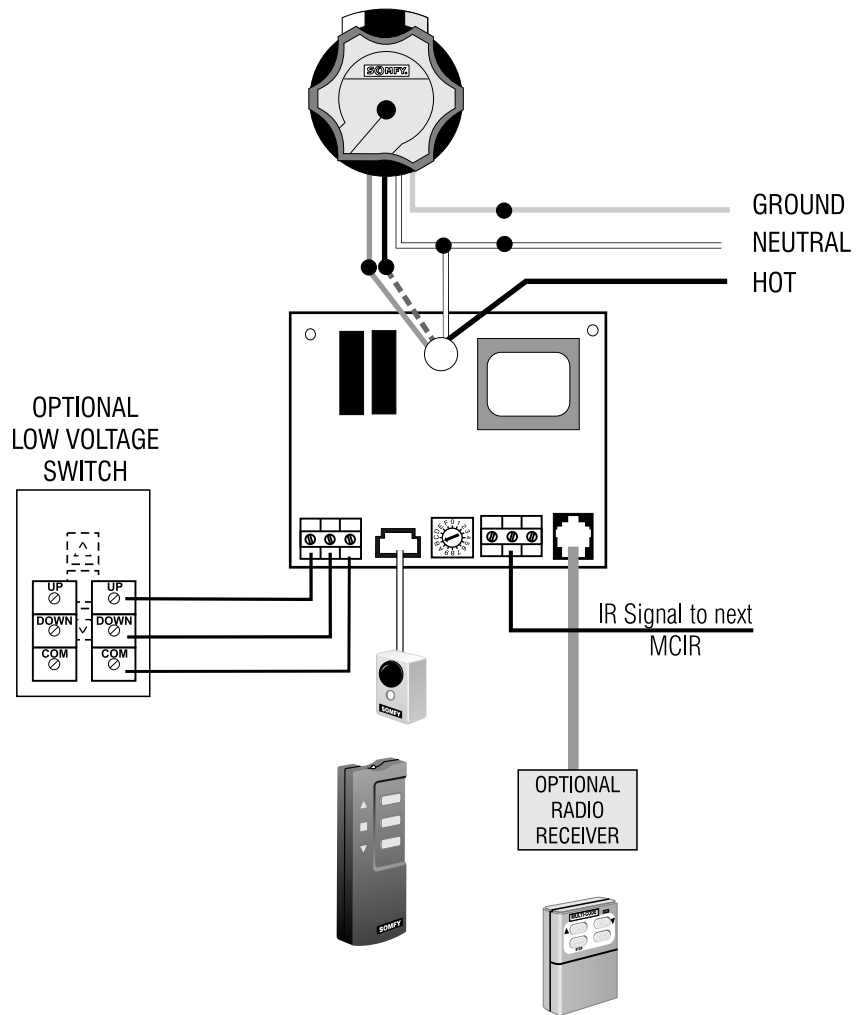
47 Commerce Drive
Cranbury, NJ 08512

SOMFY MEXICO S.A. De C.V.

Calle 3 No.47, Loc.E-5
Fracc Ind. Alce Blanco
Nau.,Edo. de Mex C.P. 53370,Mex

MCIR WIRING SCHEMATIC

COLOR CODE	
	BLACK
	BROWN
	RED
	WHITE
	GREEN



OPERATING INSTRUCTIONS

A. System Power Up

1. With power off, wire the MCIR as indicated above. Turn on the circuit breakers, motors should not move.
2. Operate each motor in the DOWN direction using the radio transmitter, IR transmitter or low voltage switch.
3. The motorized treatment should move down or out. If this is not correct, turn circuit breakers off and reverse the red and black wires at the motor.

B. Individual Motor Operation

Pressing either the UP or DOWN buttons on the low voltage switch or radio transmitter will move the motorized treatment in the appropriate direction. The motor can be stopped at any time by pressing the STOP button on the switch or radio remote.

C. Multiple and Group Motor Operation (Infrared Only)

1. SINGLE MOTOR TRANSMITTER: Use of this transmitter (6300879) is independent of the address set on the rotary switch. To control a

single window treatment, simply press the UP or DOWN buttons on the transmitter. Pressing the center button will stop the treatment at its present position.

2. 8 MOTOR TRANSMITTER: This transmitter (6300989) has the ability to control up to 8 motors (address numbers 1 - 8) individually or in groups. Each individual motor is activated by first aiming the transmitter at the sensor and pressing the desired unit number on the transmitter and then pressing the UP or DOWN buttons. Press the center button to STOP the window treatment at its present position. Pressing the group buttons (labeled 1-4, 5-8 or 1-8) will operate only the motors in those address ranges.
3. 15 MOTOR TRANSMITTER: This transmitter (6150460) has the ability to control up to 15 motors (Address numbers 1 - F) individually or as a group. Each individual motor is activated by first aiming the transmitter at the sensor and pressing the desired unit number on the transmitter and then pressing the OPEN or CLOSE buttons. Pressing the ALL button on the infrared transmitter and then a direction will cause all motors in the system (maximum 15) to activate. Pressing the STOP button will stop the motor in its present position. Please refer to the transmitter instructions for further information.