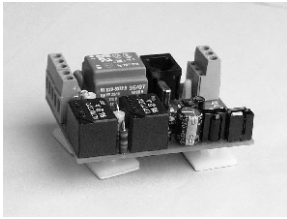




HEADRAIL INFRARED REMOTE CONTROL (HRC-IR) - 15CHANNEL

Installation and Operating Instructions

DESCRIPTION

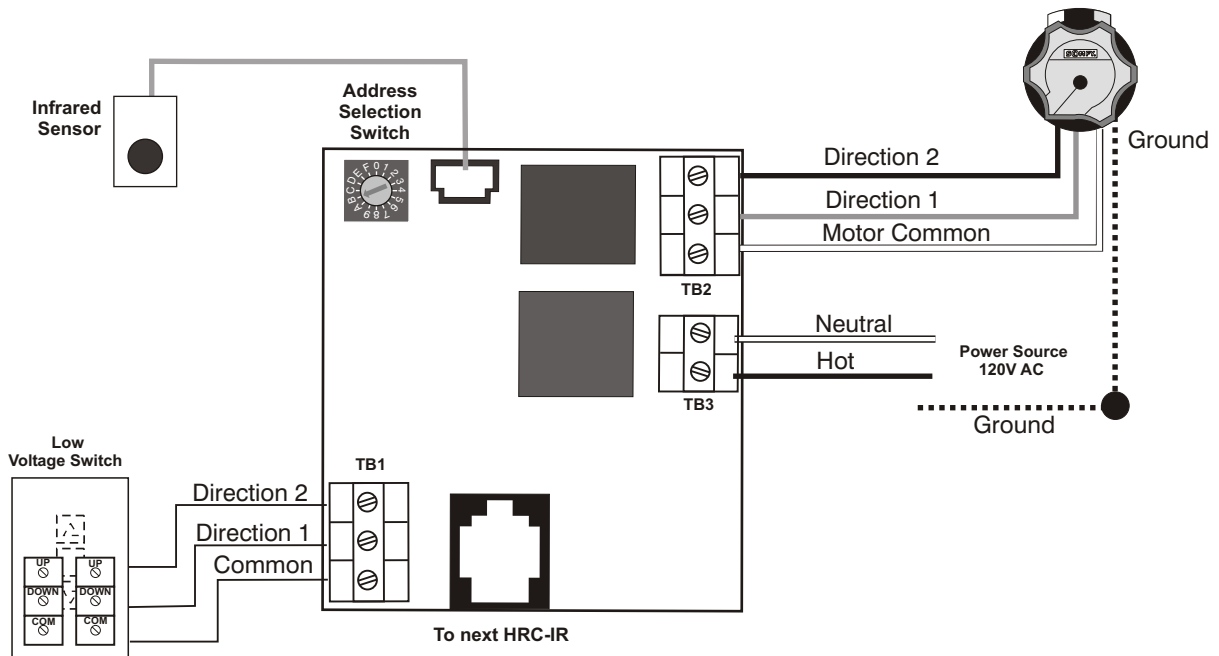


Catalog No: 6300783

SOMFY'S Headrail Infrared Remote Control is specially designed to mount inside an industry standard 2"x2" headrail. It is capable of both lift and tilt functions for a variety of interior window treatment applications. Remote control is possible through the use of SOMFY's 24-channel infrared transmitter. In addition, a low voltage switch can be connected that will control the window treatment with a push of a button.

WIRING DIAGRAM

1. With power off, wire power and motor to the terminal blocks (TB2 & TB3) on the HRC-IR as indicated below. Turn all circuit breakers on (motors should not move).
2. Connect the infrared sensor to the connector provided. Be sure to mount the sensor near the window treatment, where it will not be obstructed. The modular connector can be used to daisy-chain up to 10 HRCs to the same infrared sensor.
3. If desired, an optional low voltage switch (SOMFY part number 6300040) can be connected to terminal TB1 as shown below.
4. Press the DOWN button on the transmitter or low voltage switch. The motorized treatment should move down or out. If this is incorrect, turn off the circuit breakers and reverse the red and black wires of the motor.

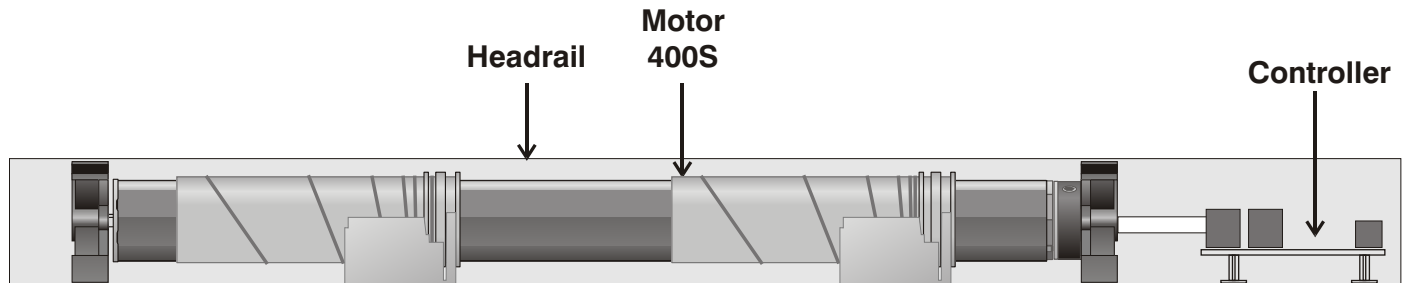


POWER	MOTOR	TB2	TB3
BLACK			HOT
WHITE			NEUTRAL
	WHITE	MOTOR COMMON	
GREEN	GREEN		
	RED	DIRECTION1	
	BLACK	DIRECTION2	

CAUTION: Before proceeding with the line voltage wiring instructions, the up and down limits of each motor should be set using the Somfy tester cable (Cat. No. 6020086). Refer to the limit switch instructions packaged with each Somfy motor for more information.

MOUNTING

1. The Headrail Control must be mounted inside the headrail using the standoffs attached. Simply remove the protective tape covering and place in the Headrail.
2. The headrail should be assembled with the motor head on the right hand side.
3. The high voltage connections must be located closest to the motor head for ease of wiring.



OPERATING INSTRUCTIONS

A. Individual Motor Operation

Pressing either the UP or DOWN buttons on the low voltage switch will move the motorized treatment in the appropriate direction. The motor can be stopped at any time by pressing the STOP button on the switch.

B. Multiple and Group Motor Operation (Infrared Only)

1. Each individual motor is activated by first aiming the transmitter at the sensor, pressing the desired unit number on the transmitter and then pressing the UP or DOWN buttons. Press the STOP to stop the window treatment at any time.
2. To operate a group of window treatments, press the following buttons to activate the indicated motors:
 - G1: Motors 1 - 5
 - G2: Motors 6 - 10
 - G3: Motors 11 -15
 - G4: All Motors 1 - 15

C. Tilt Operation

To operate the tilt function in horizontal blind applications, simply press and hold the directional button on the switch or transmitter. When the desired angle is reached, release the button.

SOMFY MEXICO, S.A. De C.V.

Calle 3 No. 47, Loc. E-5
Fracc Ind. Alce Blanco
Nau., Edo. de Mex
C.P. 53370

SOMFY SYSTEMS, INC.

47 Commerce Drive
Cranbury, NJ 08512

SOMFY CANADA

6315 Shawson Drive, Unit #1
Mississauga, Ontario L5T1J2