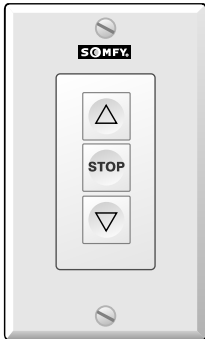




# IGC - DC

## Installation and Operation Instructions

### DESCRIPTION

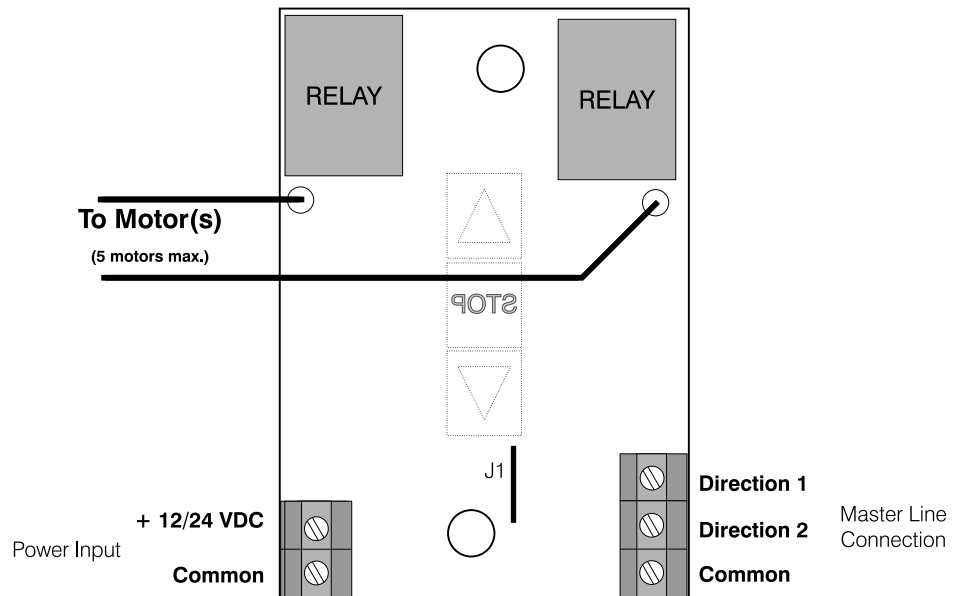


Cat. No: 6300840 Ivory  
 Cat. No: 6300843 White

The IGC - DC is an individual or group control system specifically designed to operate Somfy's DC motor line. Each control mounts in a single gang electrical box and can operate up to five motors as a group. By combining IGC-DC controls and IGC switches, different levels of group or individual control are possible. The IGC-DC also has tilting capability for horizontal blind applications.

### INSTALLATION PROCEDURES

1. Connect a 12 or 24 volt DC transformer to the terminal block as shown, ensure polarity is correct. The transformer used will be determined by the motor type (LT28, Concept25) and quantity.
2. Connect up to 5 motors to the wires on the back of the IGC-DC.
3. Turn on power. Press the DOWN button on the IGC-DC. The window treatment(s) should extend or lower. If this is incorrect, reverse the motor wires on that treatment.
4. Connect the optional Master Switch to the Indicated terminal block.



### RECOMMENDED TRANSFORMERS

MOTOR TYPE	1 MOTOR	2 MOTOR	3 MOTOR	4 MOTOR	5 MOTOR
LT28A	5700091	5700091	5700091	5700091	5700092
LT28B	5700095	5700093	5700093	5700096	5700096
LV25-B44	5700095	5700093	5700096	5700096	5700096
LV25-B64	5700095	5700093	5700096	5700096	5700096
LW25-B83	5700095	5700093	5700096	5700096	5700098
LT28-H2	5700093	5700098	5700098	5700098	5700098

## OPERATING PROCEDURES

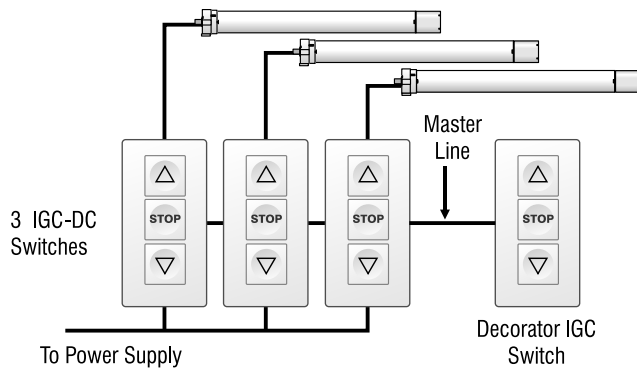
1. To activate the lift function, momentarily depress the button (less than one second) corresponding to the desired direction. During this action, the motor can be stopped in any position by pressing the stop button.
2. To tilt a horizontal blind, simply press and hold the directional button. When the preferred angle is reached, release the button.
3. To disable the tilting function permanently, such as in roller shade applications, cut jumper J1.

### Master Operation

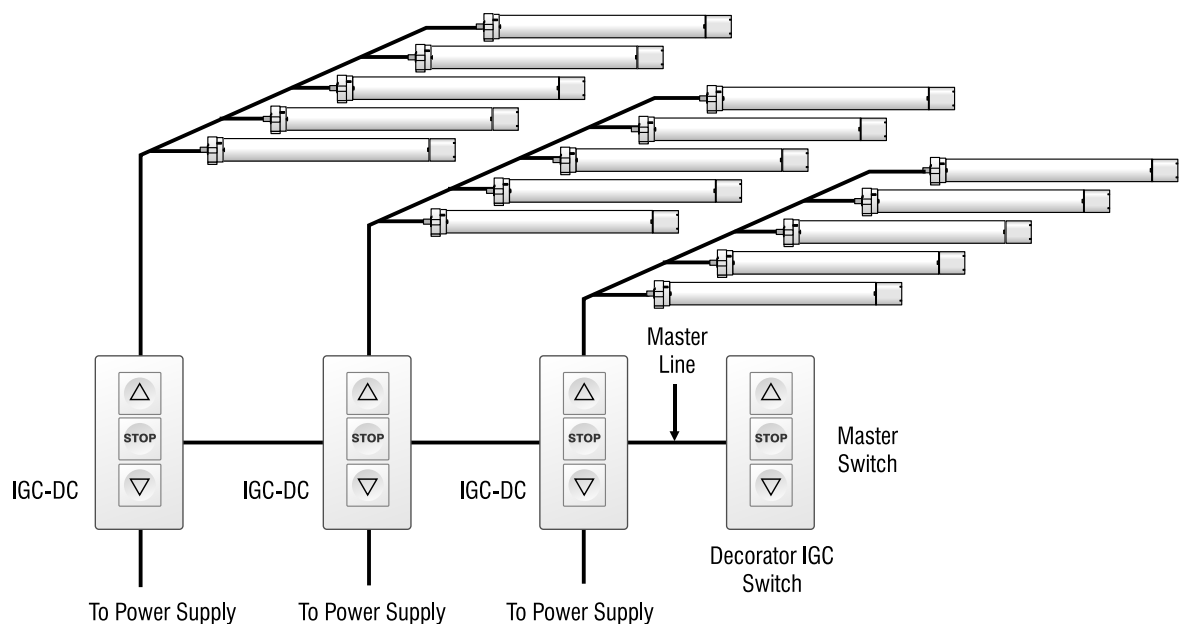
The low voltage terminal block is provided for connecting to a Master Switch or automation system. A group of IGC-DC's can be operated from a single switch, with both lift and tilt operation as described above.

## APPLICATIONS

### 3 DC Motors Controlled Individually & as a Group



### 15 DC Motors Controlled as a Group & in Sub-Groups



#### SOMFY CANADA

6315 Shawson Drive, Unit #1  
Mississauga, Ontario L5T1J2

#### SOMFY SYSTEMS, INC.

47 Commerce Drive  
Cranbury, NJ 08512

#### SOMFY MEXICO S.A. De C.V.

Calle 3 No.47, Loc.E-5  
Fracc Ind. Alce Blanco  
Nau., Edo. de Mex C.P. 53370, Mex